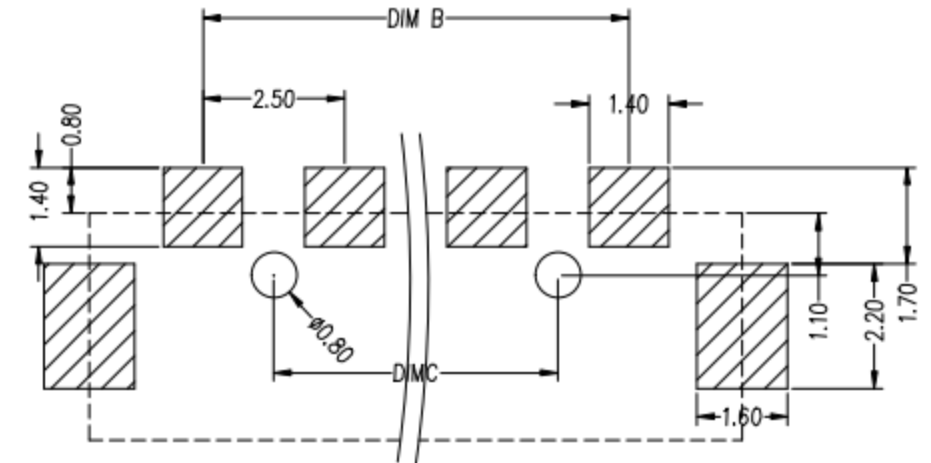
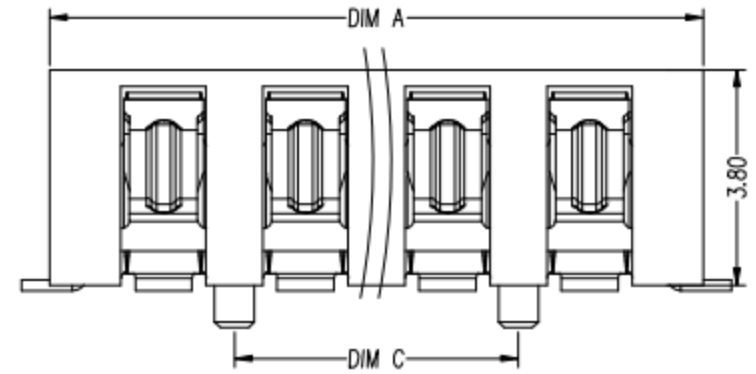
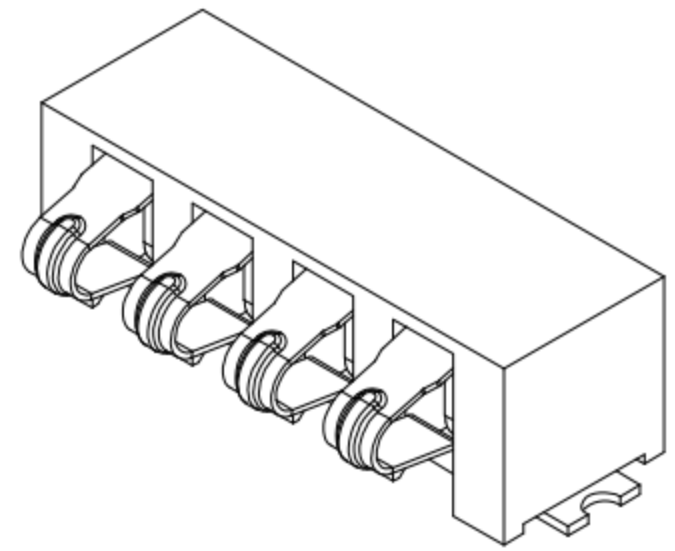
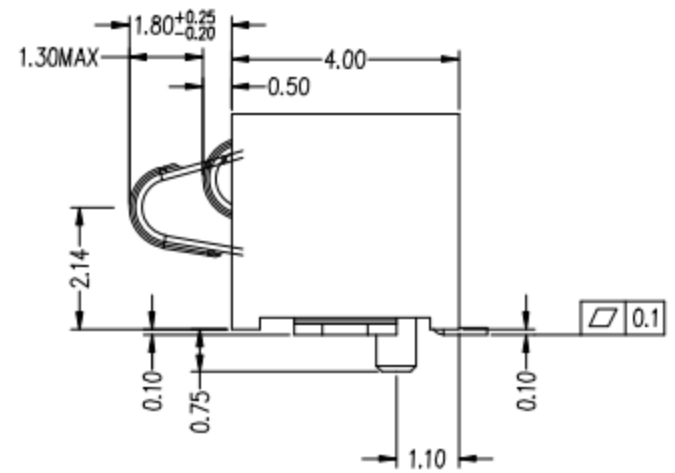
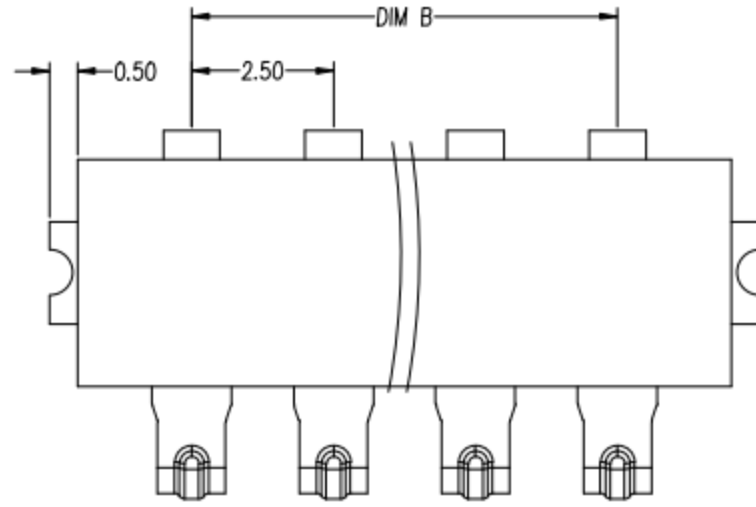


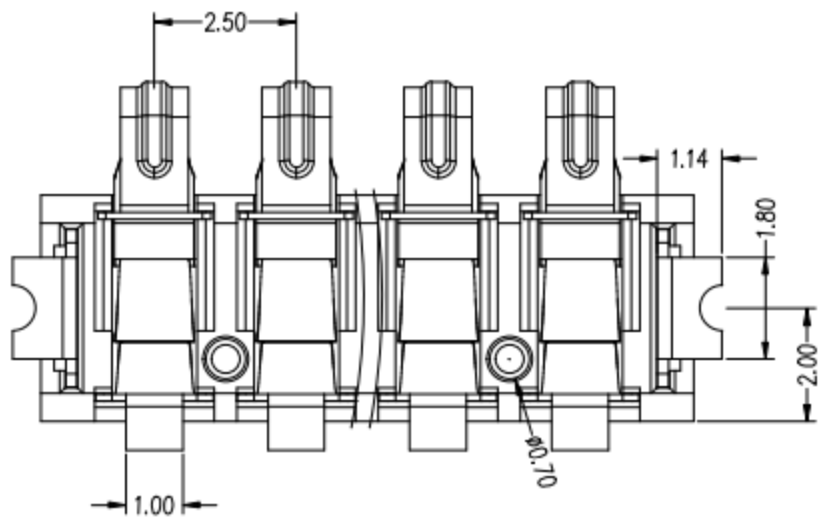
|      |         |             |        |            |
|------|---------|-------------|--------|------------|
| REV. | ECN NO. | DESCRIPTION | DESIGN | DATE       |
| A    |         | INITIAL     | Kai    | 2018.03.29 |



RECOMMENDED PCB LAYOUT  
TOL:(±0.05)

性能:  
 额定电流: 3.0A  
 额定电压: 24V  
 耐电压: 500V  
 接触电阻: 30mΩ MAX  
 绝缘电阻: 500MΩ  
 工作温度: -40℃~+85℃  
 塑件(材质): LCP, 耐高温260℃  
 接触点(材质): 铜合金, 触点镀金3U'

| DIM A | DIM B | DIM C |
|-------|-------|-------|
| 9.0   | 5.0   | 2.5   |
| 11.5  | 7.5   | 5.0   |
| 14.0  | 10.0  | 7.5   |
| 16.5  | 12.5  | 10.0  |



|                                       |       |         |     |             |                   |        |  |
|---------------------------------------|-------|---------|-----|-------------|-------------------|--------|--|
| UNLESS OTHERWISE SPECIFIED TOLERANCES |       |         |     | 东莞市高迪电子有限公司 |                   |        |  |
| DECIMALS:                             |       | ANGLES: |     |             |                   |        |  |
| DIM                                   | TOL   | DIM     | TOL | DESIGN:     | PART NO.          |        |  |
| X.                                    | ±0.50 | X.      | ±2° | CHECK:      | REV. UNIT: SHEET: |        |  |
| X.X                                   | ±0.30 | X.X     | ±1° | APPROVED    | A                 | mm 1/1 |  |
| X.XX                                  | ±0.20 | X.XX    |     |             |                   |        |  |
| X.XXX                                 | ±0.10 | X.XXX   |     |             |                   |        |  |

| ITEM | PART NAME | Q'TY | MATERTAL              | DESCRIPTION | REMARK |
|------|-----------|------|-----------------------|-------------|--------|
| ②    | HOUSING   | 1    | LCP                   |             | BLACK  |
| ①    | CONTACT A | 2    | PHOSPHOR BRONZE 0.20T | Au PLATED   |        |